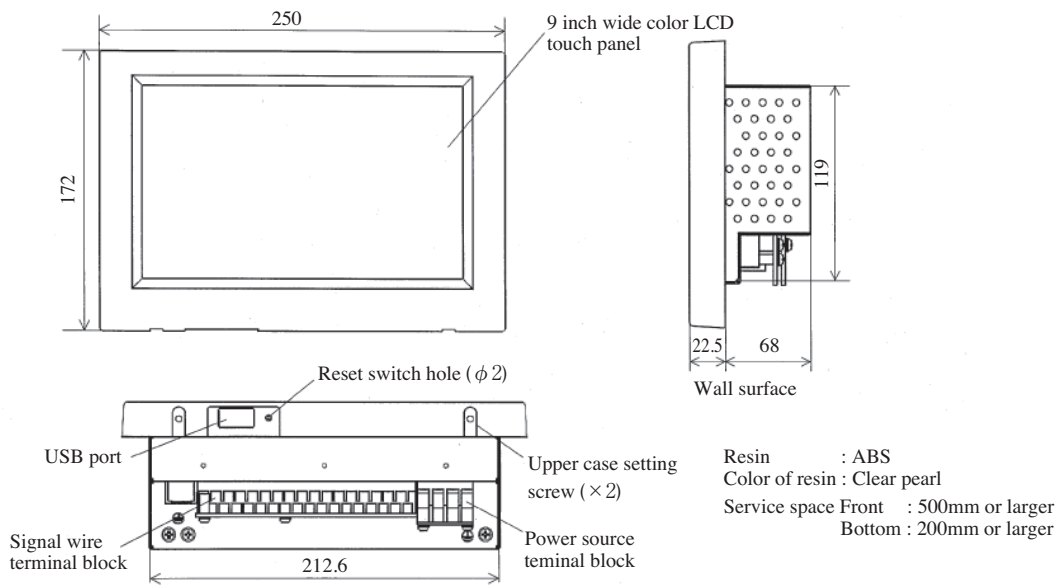
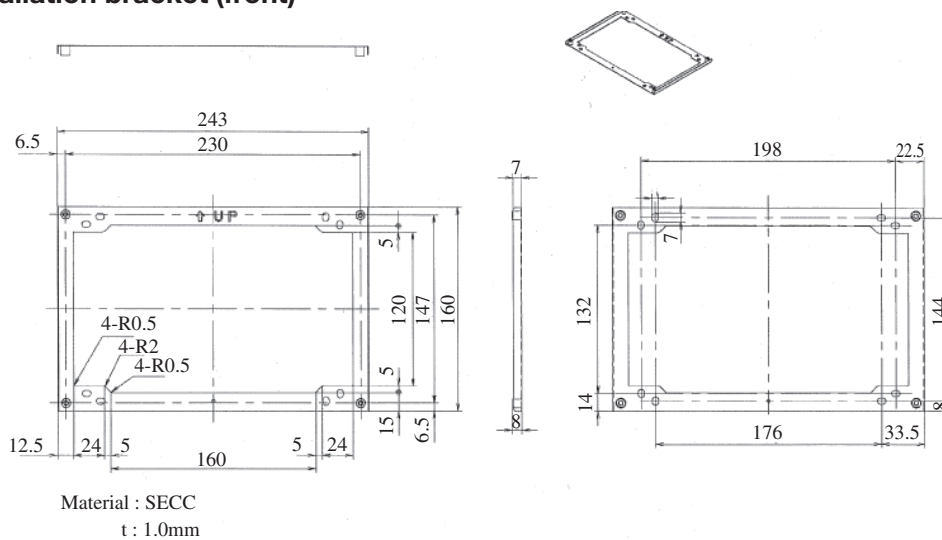


8. EXTERNAL DIMENSIONS

(1) Central control



(2) Installation bracket (front)



(3) Installation bracket (rear)

